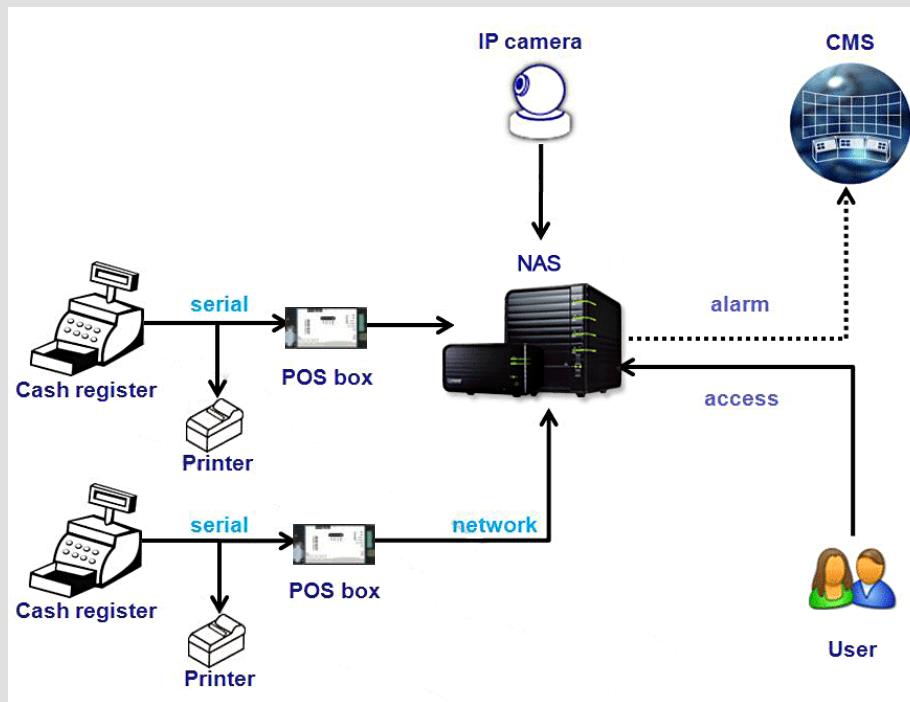


NDVR POS Box Specification

NUUO version 3.2.0

NUUO POS Box SCB-C31



Input	RS232
Output	Ethernet
DC In	DC +10V to +15V
Power consumption	500 mA
Operating Temperature	-20 to 65°C
Operating Humidity	0-90 % Non-Condensing
Baud Rate	110 bps to 230.4 kbps
Data Bits	5, 6, 7 or 8
Stop Bits	1, 1.5 or 2
Parity	None, Even, Odd, Mark, Space
Flow Control	None, RTX/CTS, XON/XOFF, DTR/DSR

NUUO MainConsole v3.2.0

POS Main Features

- Support for all NUUO NVR/DVR/NVDR/NVRmini system
- Up to 64 POS system
- Transaction data overlay on multi-channels
- Recording transaction data
- Smart detect and Immediate reaction of pre-defined special keyword of abnormal transaction
- External rule of user defined event – develop with POS alarm SDK
- POS Event Log search for pre-defined event
- Search for specific keyword and playback recorded video with transaction data
- SQLite format Database of transaction data

Specifications

- **Live Transaction Overlay**
 - Up to 64 POS or Cash Register
 - Overlay display of transactions on multiple associated cameras
 - User-defined POS OSD setting
 - Flexible user-defined overlay areas of different associated cameras

/ 2

- User-defined transaction display time
- **POS Transaction Filed Filter**
 - User-defined tag filter
 - Export/Import tag filter to/from the other NUUO system
 - Six pre-defined tags
 - **Omit:** Omit unimportant text
 - **Substitute:** Define text to be replaced
 - **Add New Line:** Define text as a newline
 - **Start:** Define the text as a transaction start
 - **End:** Define the text as a transaction end
 - **Cash Register Opened:** Define the text as opening a cash register
 - Unlimited user-defined filters
- **Smart Detection**
 - Smart detection of 4 POS Event Log
 - **Transaction Start:** Detect any transaction beginning defined in filter
 - **Transaction End:** Detect any transaction ending defined in filter
 - **Open Cash Register:** Detect any cash register opening defined in filter
 - **User Defined Condition:** Detect up to 10 conditions of special words or numbers which are defined by user for transaction data of each POS device.
 - **Connection Lost:** The basic function to alarm when network of POS device disconnecting.
 - Immediate reaction for POS event detection:
 - On Screen Display
 - Play Sound
 - Send E-mail
 - Phone Call
 - PTZ Preset Go
 - Signal Digital Output
 - Send a SMS message
 - Upload to FTP
 - Popup E-Map
- **Recording, Playback & Search**
 - Start recording video when POS event log detected
 - Basic search of smart detect POS event log to view recording video of associated camera or export to excel for statistic
 - Advanced search for any text in POS transaction data and search result overlay
 - Video backup with POS transaction data
 - Dedicated storage for POS data that is not deleted in recycling
- **Remote Access**
 - Remote live view camera video with overlay POS transaction data
 - Remote search POS transaction data, POS event log, and overlay on recording video
 - Remote backup POS transaction data
- **Other**
 - E-Map
 - Store all transaction data in SQLite format for retroactive analysis
 - Support all NUUO NVR/DVR/NVDR/NVRmini system to extend POS to surveillance solutions